

# Installation Instructions



COPYRIGHT ROADWORKS MFG, INC.

I - Sheet Number <Hybrid ARE Bumper\_PB 579>

For proper installation and best possible fit, please read all instructions **BEFORE** you begin.  
For technical assistance or to obtain missing parts, please call Customer Relations at 1-800-448-8741.

## Important Safety Information

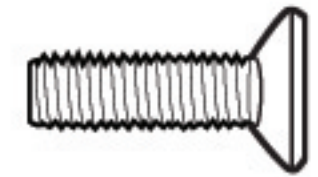
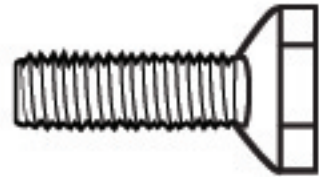







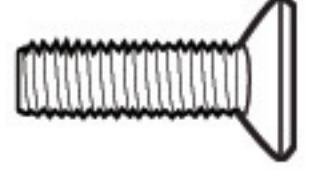





• **CAUTION** - Before installation ensure proper safety precautions have been made prior to installing this product at heights that require a raised elevation requiring use of a ladder or step stool.

## Contents

NOTE: Actual product may vary from illustration. Not to Scale

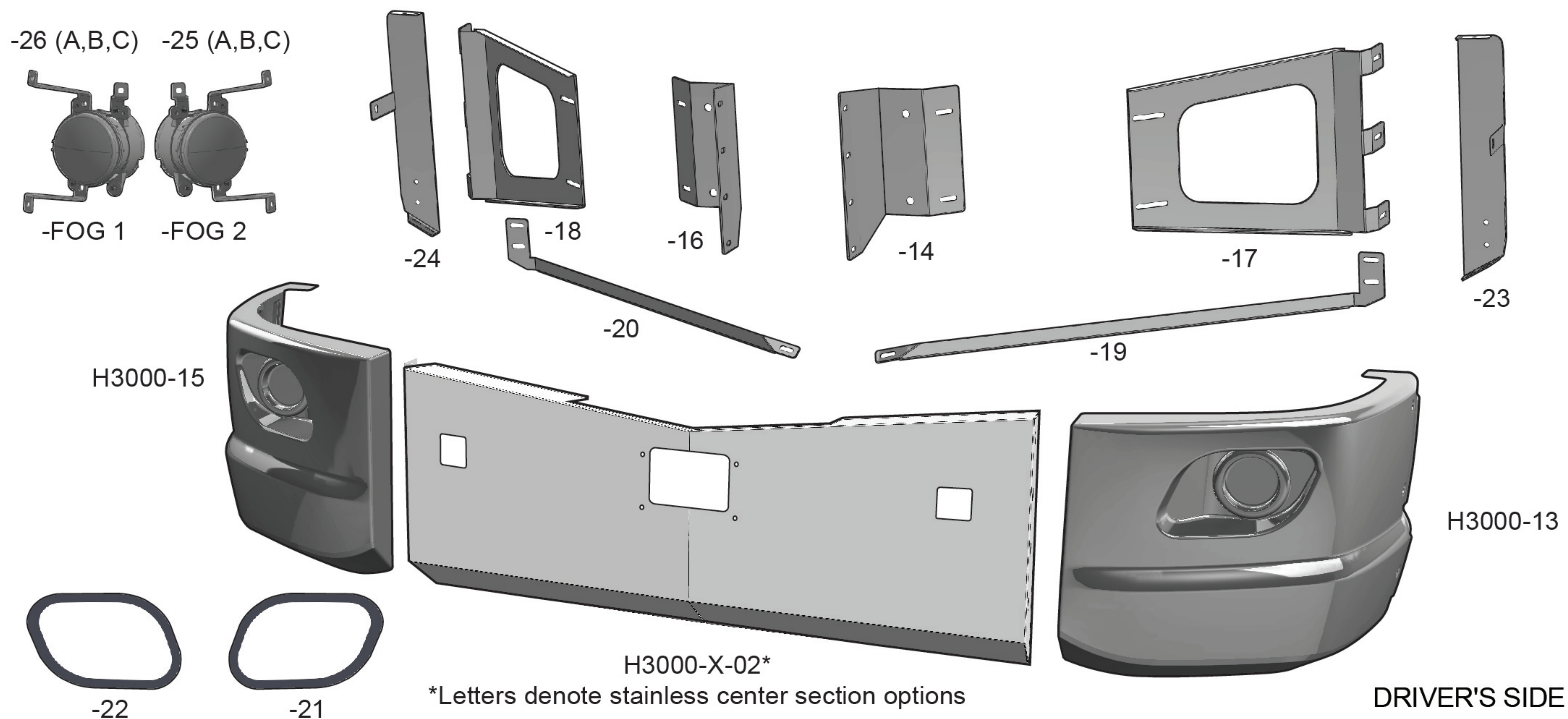
### Hardware:

						
3/8-16 X 1" Button Head Cap Screw x6	3/8-16 X 1.25" Hex Head Bolt x18	3/8 Flat Washer x48	3/8 Split Lock Washer x24	3/8-16 Hex Nut x24	1/2-13 X 1.50" Hex Head Bolt x4	
(6) 08326-100	(18) 08323-125	(48) 08323-FLAT	(24) 08323-LOC	(24) 08323-NUT	(4) 08328-150	
						
1/2 Flat Washer x8	1/2 Split Lock Washer x4	1/2-13 Hex Nut x4	1/4-20 X .75" Button Head Cap Screw x8	1/4-20 Flat Washer x8	1/4-20 Split Lock Washer x8	1/4-20 Hex Nut x8
(8) 08328-FLAT	(4) 08328-LOC	(4) 08328-NUT	(8) 08318-075	(8) 08315-FLAT	(8) 08315-LOC	(8) 08315-NUT

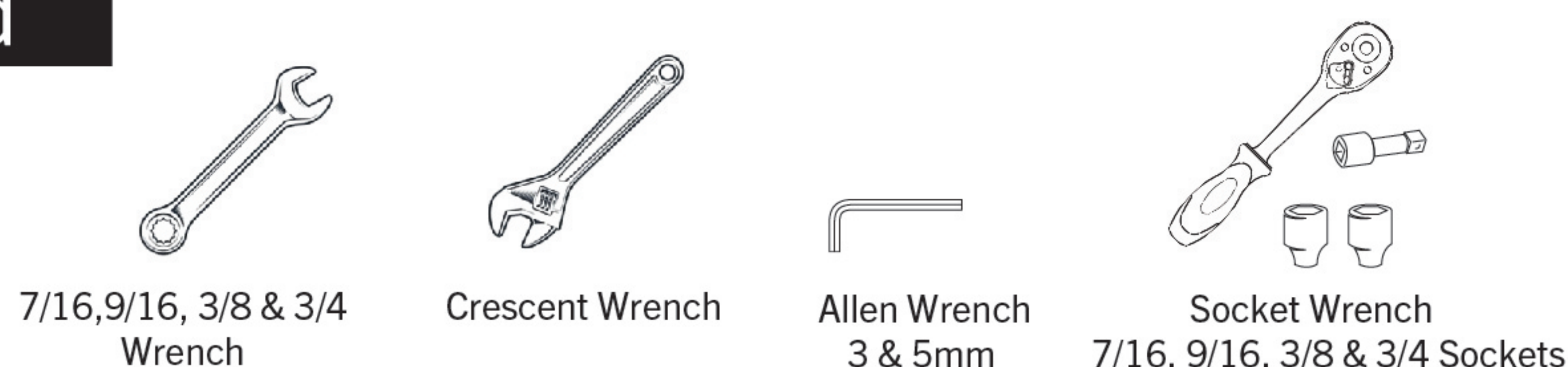
## Contents

NOTE: Actual product may vary from illustration. Not to Scale

### RoadWorks Products & Hardware:



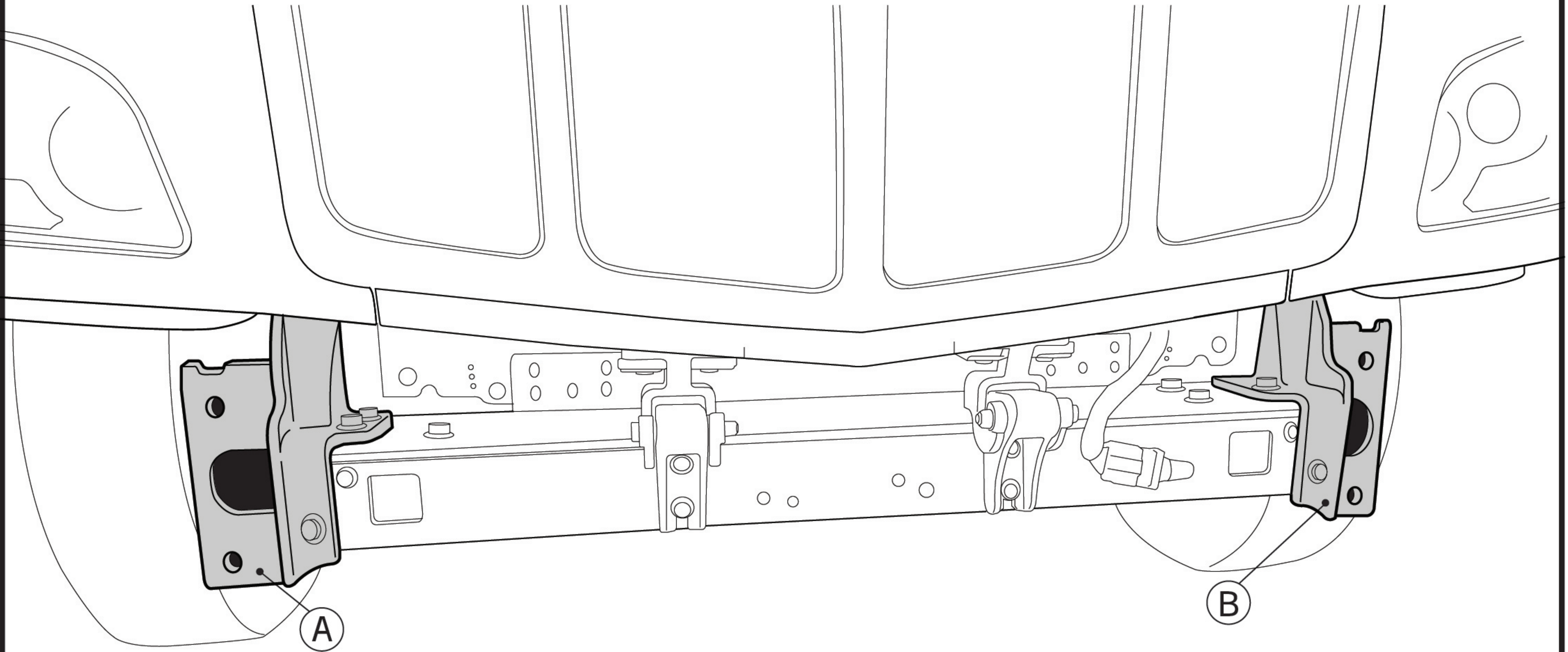
## Tools Required



# Installation Steps

NOTE: Actual application may vary slightly from illustrations.

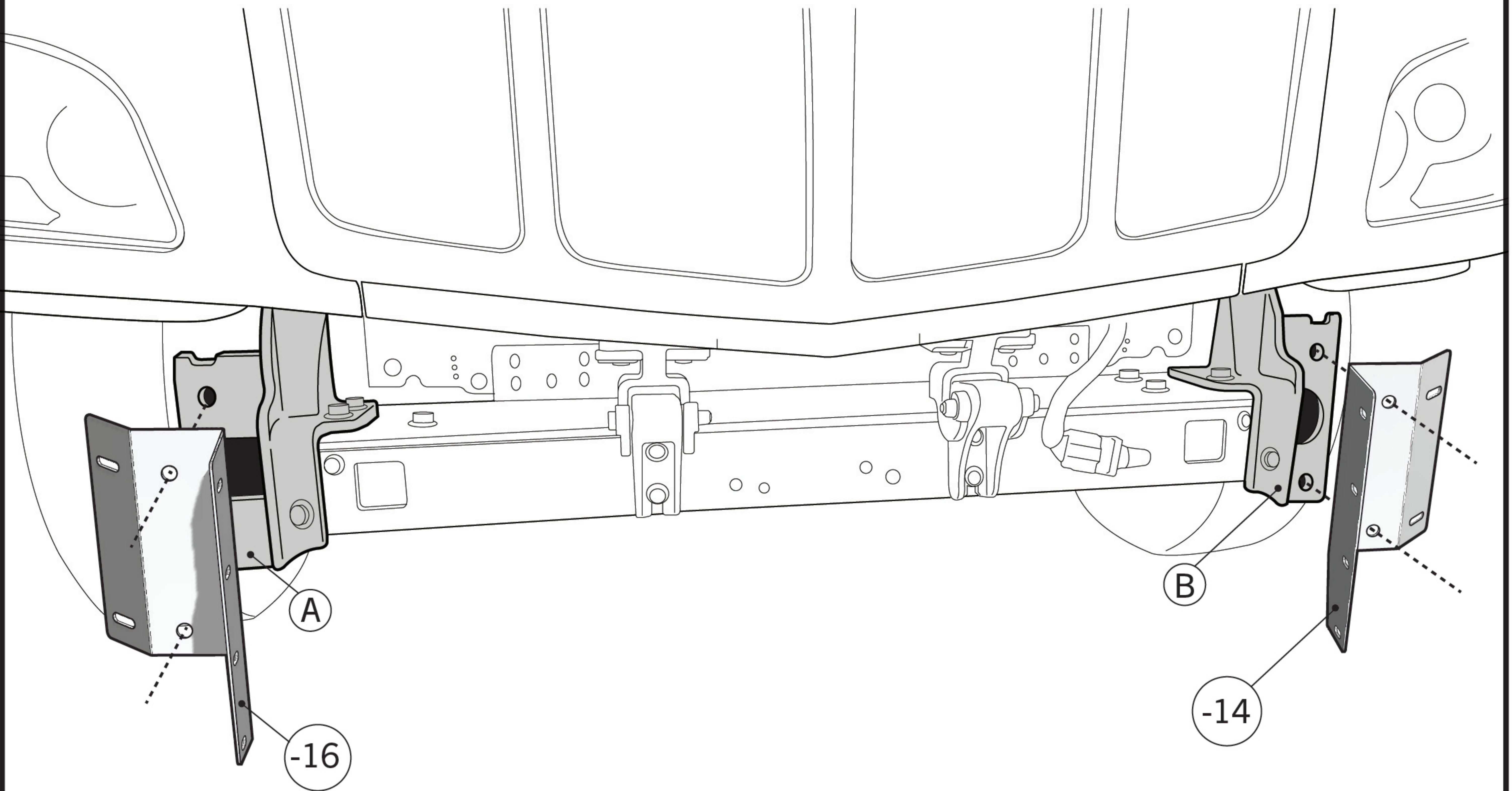
Remove the existing bumper on your truck and set aside. The factory mounting brackets pictured below (**A** / **B**) will be used to mount the new bumper brackets (**-14**, **-16**).



1

Drivers Side

Using HW **08328-150**, **08328-FLAT**, **08328-LOC**, **08328-NUT**, attach mounting brackets (**-14**, **-16**)



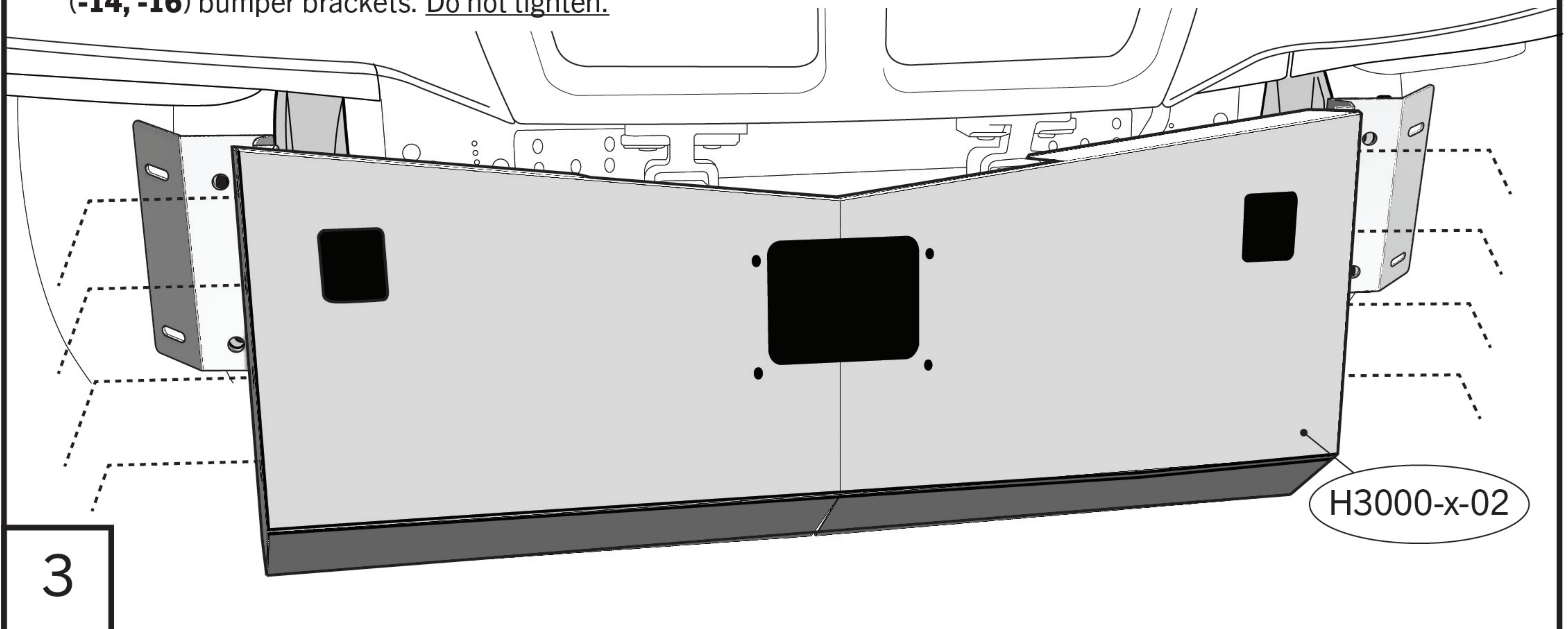
2

Drivers Side

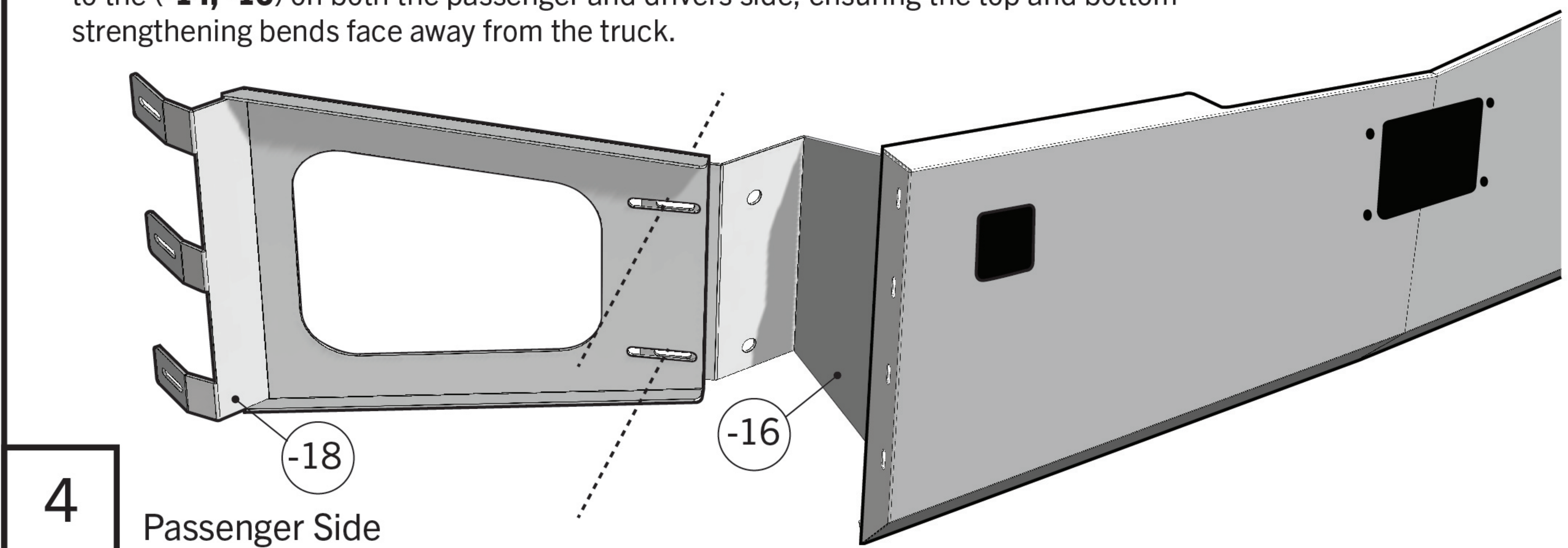
## Installation Steps

NOTE: Actual application may vary slightly from illustrations.

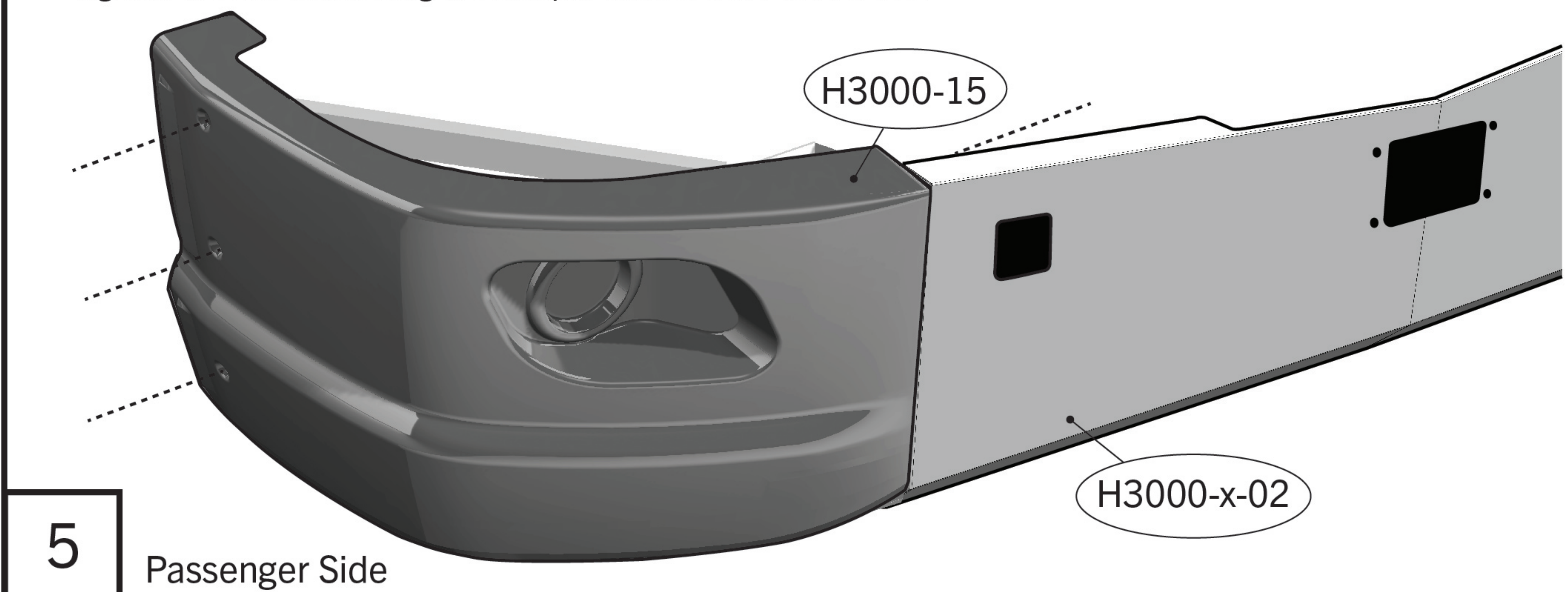
Remove the protective film from the **H3000-01** on the vertical attachment point holes. Using HW **08323-125**, **08323-FLAT**, **08323-LOC**, **08323-NUT**, attach the stainless steel center section (**H3000-01**) of your bumper to the (-14, -16) bumper brackets. Do not tighten.



Using HW **08323-125**, **08323-FLAT**, **08323-LOC**, **08323-NUT**, attach mounting brackets (-17 & -18) to the (-14, -16) on both the passenger and drivers side, ensuring the top and bottom strengthening bends face away from the truck.



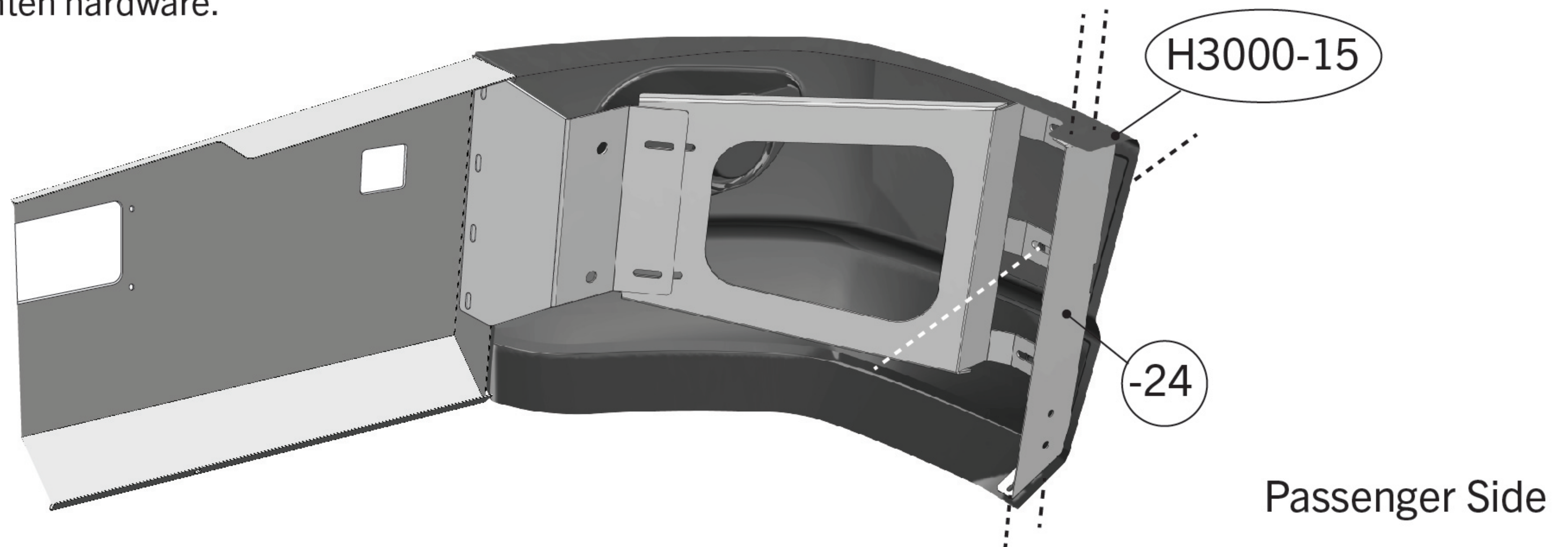
Using HW **08326-100**, **08323-FLAT**, **08323-LOC**, **08323-NUT**, attach the outer fiberglass bumper ends (**H3000-13**, **H3000-15**) to the outer tabs of brackets (-17 & -18) and to the (**H3000-01**) on both the passenger and drivers side. The HW in step 3 will be used to secure the (**H3000-13**, **H3000-15**) to the (**H3000-01**) center section. Tighten the HW connecting the bumper ends to the (**H3000-01**).



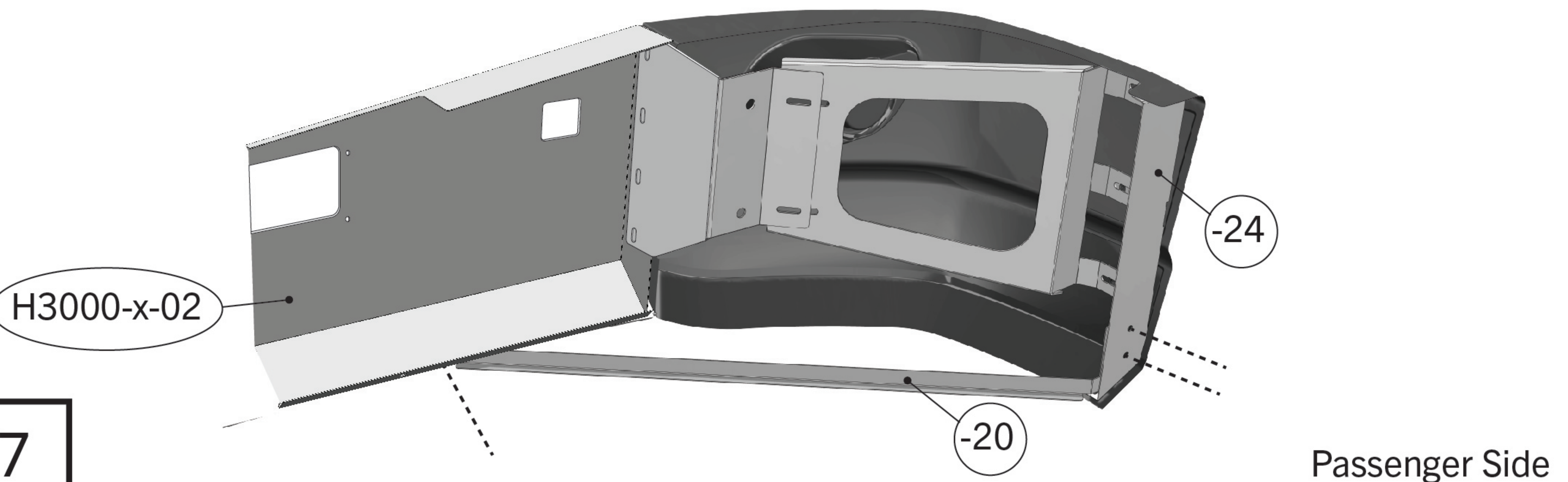
## Installation Steps

NOTE: Actual application may vary slightly from illustrations.

Using HW **08318-075, 08315-FLAT, 08315-LOC, 08315-NUT**, attach outer mounting brackets (**-23 & -24**) to the bumper ends (**H3000-13, H3000-15**), as well as the center tab on the (**-17, -18**) brackets on both the passenger and drivers side. Tighten hardware.

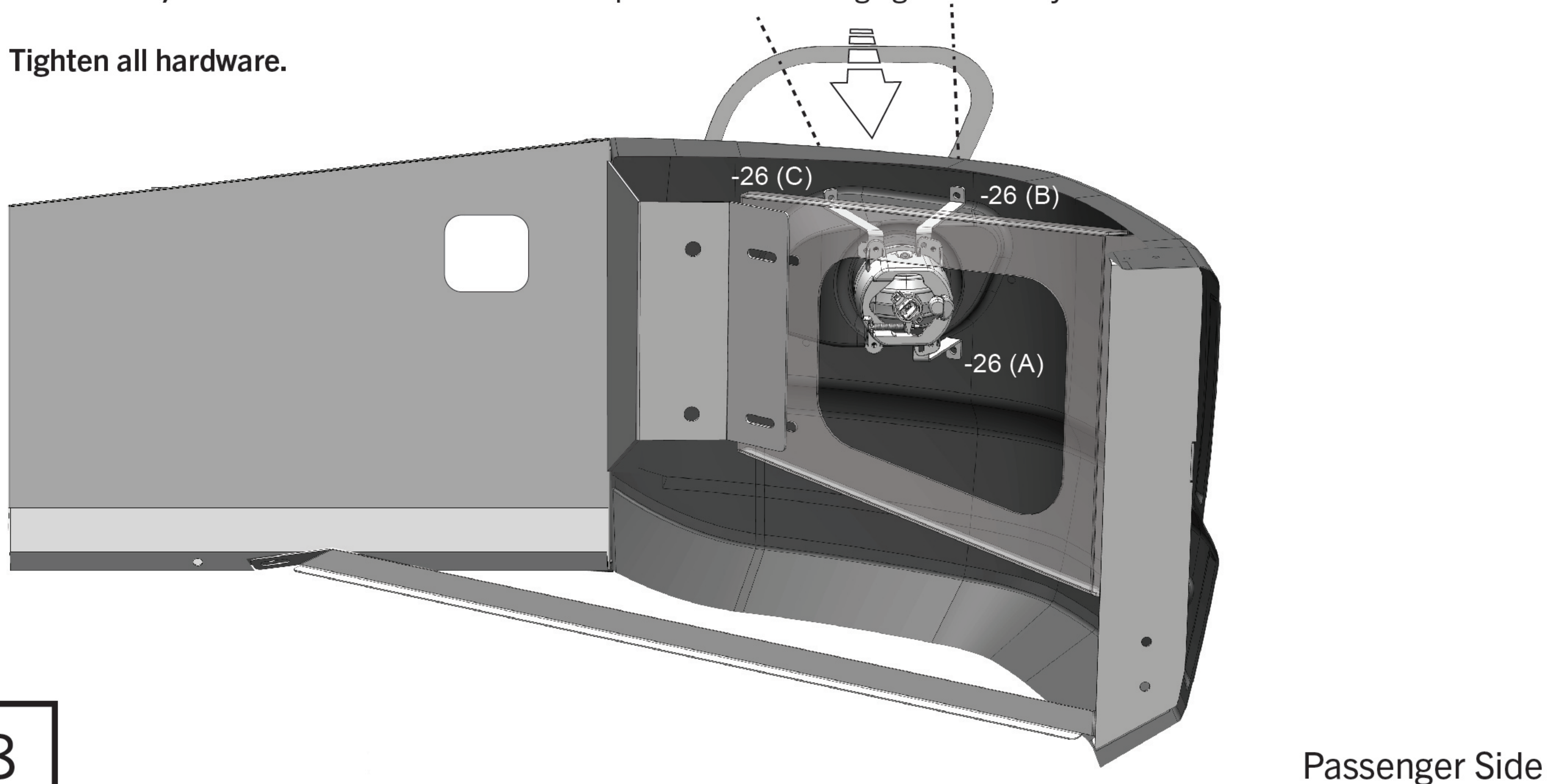


Using HW **08323-125, 08323-FLAT, 08323-LOC, 08323-NUT**, attach lower mounting brackets (**-19, -20**) to the (**-23, -24**) and to the center section (**H3000-x-02**) on both the passenger and drivers side, ensuring the outer bends face away from the truck. Tighten all remaining hardware.



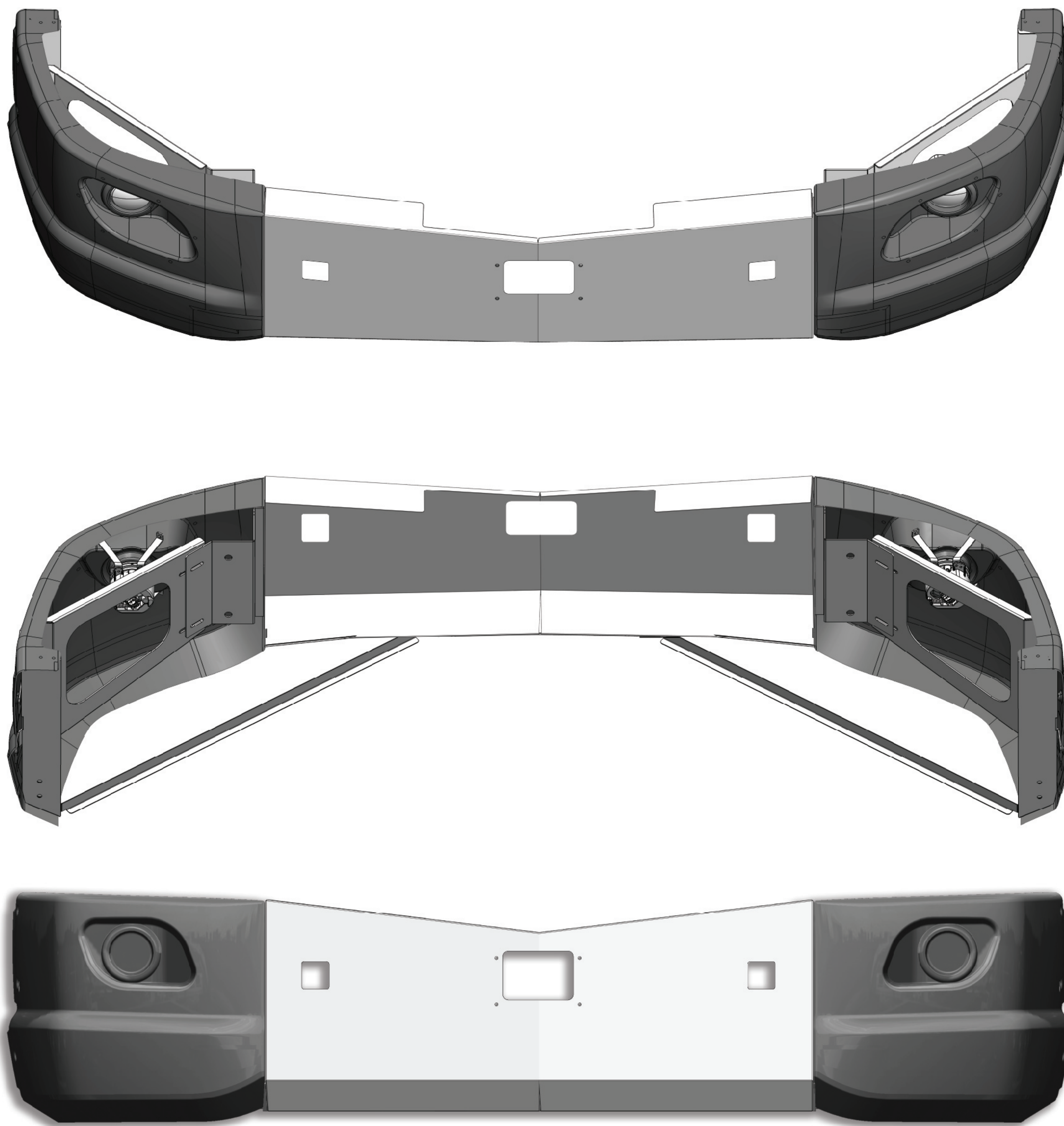
Using HW **08315-FLAT, 08315-LOC, 08315-NUT** and (**-21, -22**) fog light trim with threaded studs, attach trim through the exterior fiberglass bumper ends (**H3000-15, H3000-13**) to the outer tabs of brackets (**-25 & -26 A,B,C**) and (**FOG 1, FOG 2**) on the interior of the bumper ends for the fog light assembly as shown.

Tighten all hardware.



## Installation Steps

NOTE: Actual application may vary slightly from illustrations.



## Care and Cleaning

- Wash and polish your new Bumper using soft microfiber type material.



The material that your product is made from can be recycled. Please also consider recycling the packaging that your product came in.



## Congratulations!

You have purchased one of the many quality RoadWorks products offered by RealTruck. We take the utmost pride in our products and want you to enjoy years of satisfaction from your investment. We have made every effort to ensure that your product is top quality in terms of fit, durability, finish and ease of installation.



RoadWorks MFG.

800-448-8741 • Visit us at [roadworksmfg.com](http://roadworksmfg.com)

© 2023 RoadWorks Mfg. All rights reserved

RoadWorks and the Roadworks logo are trademarks of RealTruck.