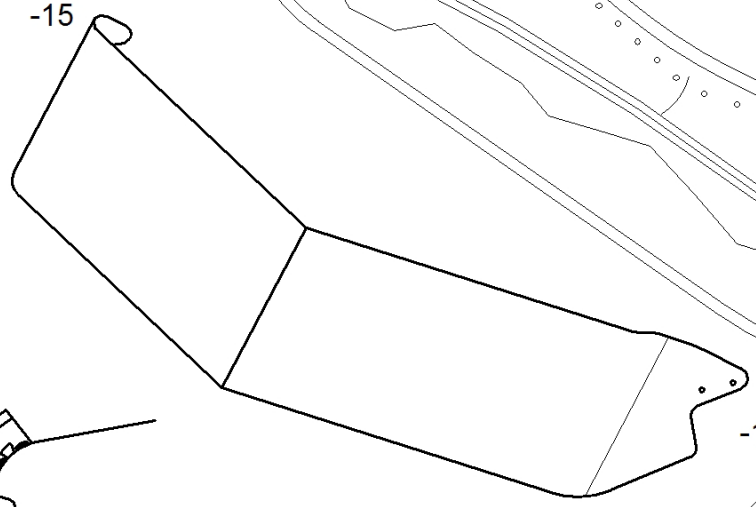
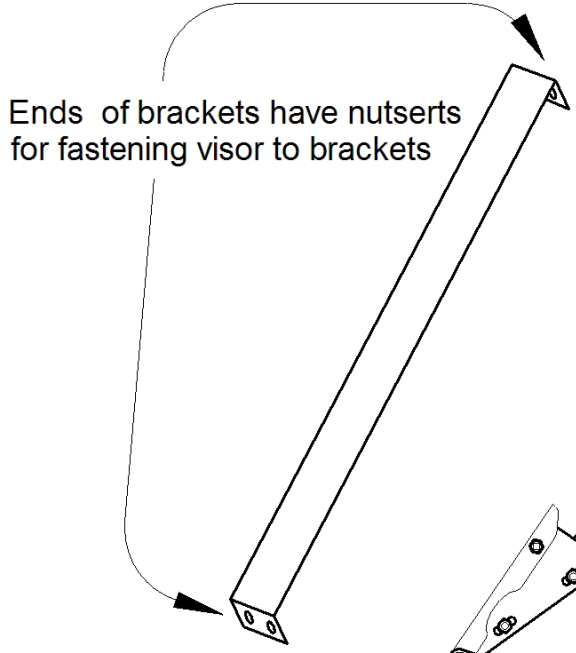
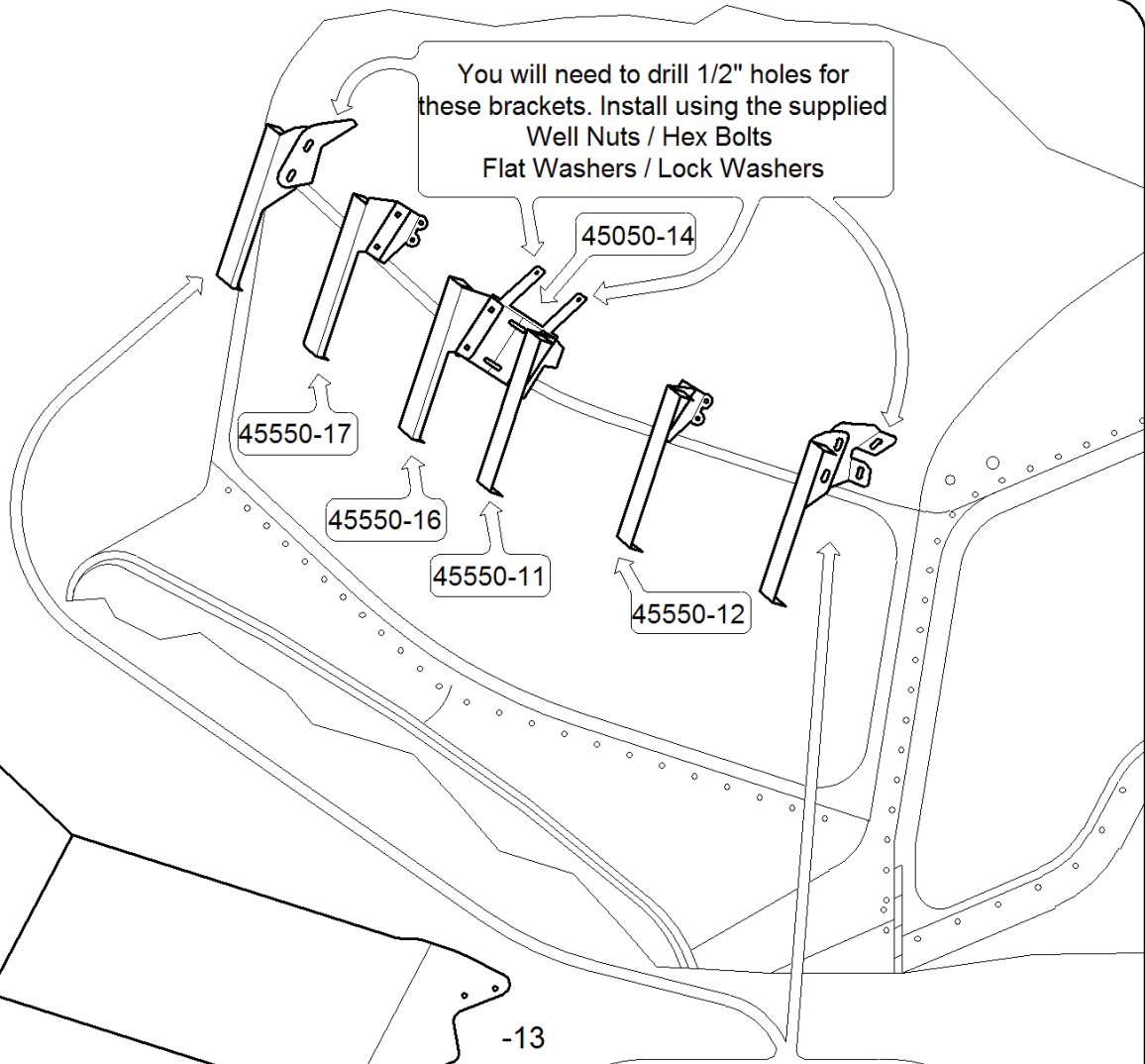
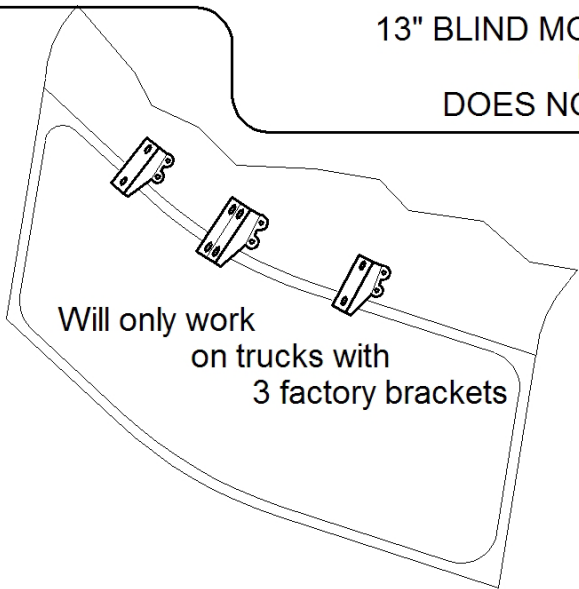
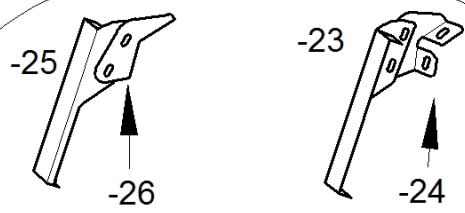


13" BLIND MOUNT DROP VISOR FOR 1 & 2 PIECE CURVED WINDSHIELD KENWORTH 2006 & EARLIER.  
REPLACES FACTORY 2 PIECE STAINLESS STEEL VISOR WITH 3 BRACKETS.  
DOES NOT FIT TRUCKS WITH FACTORY FIBERGLASS VISOR OR 2 BRACKET FACTORY VISOR



SIDE VIEW OF STABILIZER (RESTS ON WINDSHIELD)



These are additional brackets. You will need to drill 1/2" holes for these brackets. Install using the supplied Well Nuts / Hex Bolts / Flat Washers / Lock Washers