

# Kenworth W900 Grill with Vertical Bars

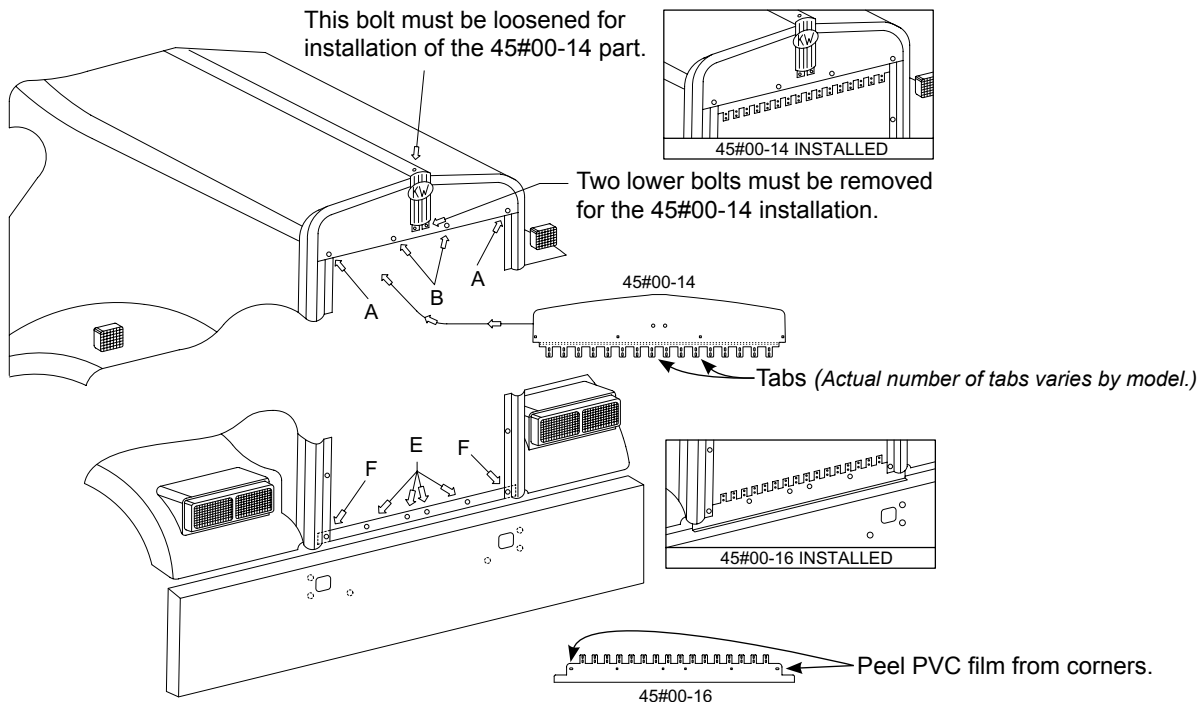
## Part number 45100, 45200

Before beginning the installation of your new RoadWorks® grill please verify using the box label that the grill you have purchased is for your model of truck. If the model of your truck does not match the description on the box label, call RoadWorks® Manufacturing, Inc. at 1-800-448-8741.

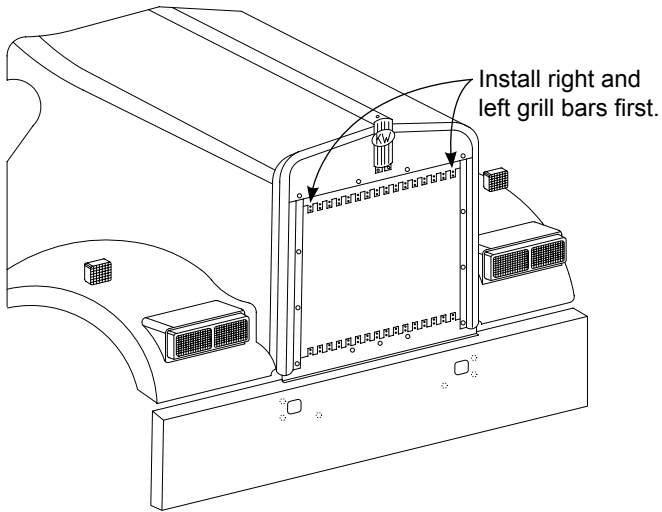
### PLEASE READ THE DIRECTIONS COMPLETELY BEFORE BEGINNING.

#### Installation

1. Arrange the grill bars and surround pieces on a flat surface. The part numbers for the surrounds are etched on the parts and should be arranged as follows: 45#00-14 is the upper grill piece, 45#00-16 is the lower grill piece. Make sure you have the correct number of grill bars for the tabs on the surround. You should also have two 45#00-03 and two 45#00-04.
2. Carefully remove the factory inner grill and screen, the screen will be reinstated behind the replacement grill later.
3. On the upper grill piece (45#00-14), peel the PVC film away from the bolt holes and away from the top center area (this area will go under the logo hood pull).
4. Loosen the top bolt and remove the two front lower bolts of the logo hood pull. Slip the 45#00-14 part under the logo hood pull and in front of the factory upper grill piece. Reinstall the two lower bolts of the logo hood pull, do not fully tighten these bolts. The two lower corner holes must be lined up with the factory holes.
5. Using a 5/16" bit, drill the factory upper grill through the holes located at "B" (see diagram below.) Insert two 1 1/4" carriage bolts into the holes at "B" and two 3/4" carriage bolts into the holes at "A," secure with flat washers, lock washers, and hex nuts. Do not fully tighten these bolts.

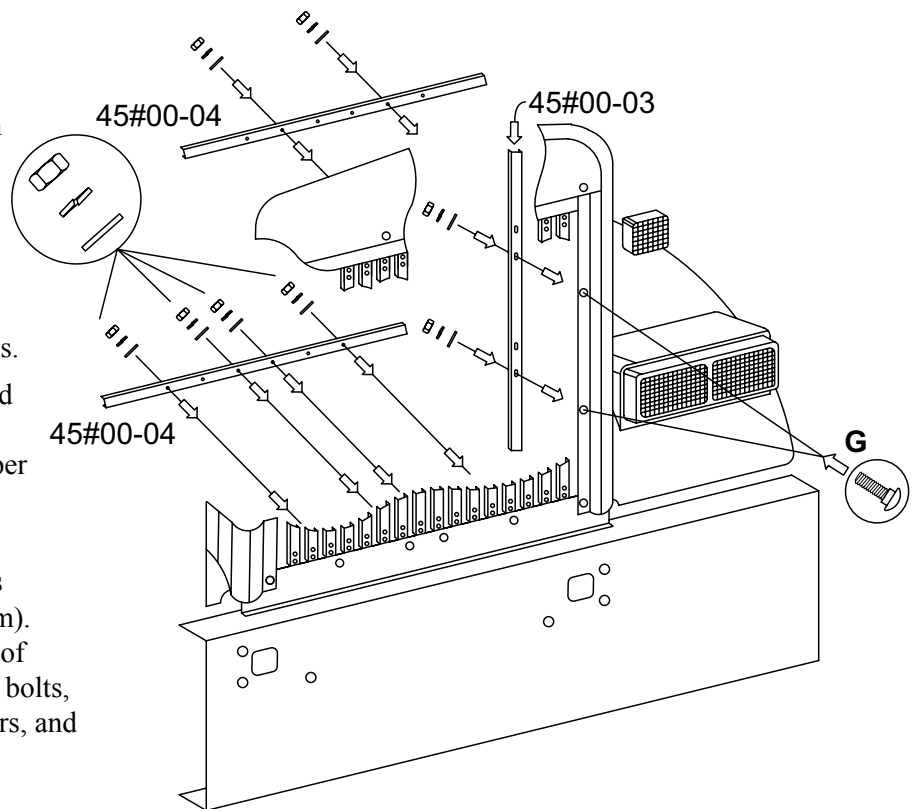


6. On the lower grill piece (45#00-16), peel the PVC film away from the lower right and left corners.
7. Remove the chrome factory lower grill piece and replace with the 45#00-16 part (see diagram above). Insert four 1 1/4" carriage bolts into the holes at "E" and two 3/4" carriage bolts into the holes at "F," secure with flat washers, lock washers, and hex nuts. Do not fully tighten these bolts.

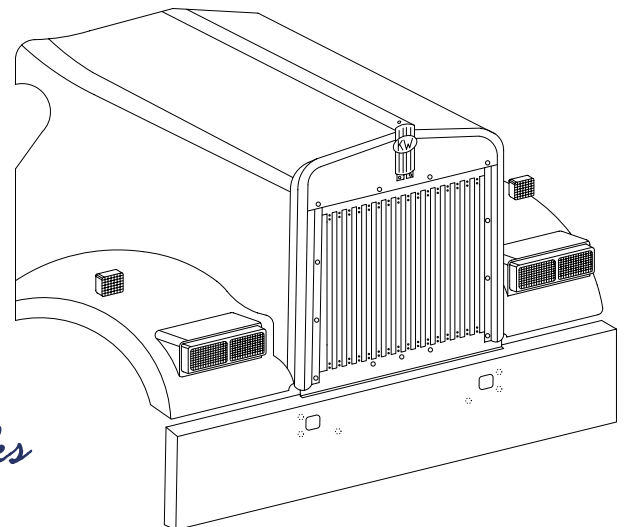


8. Peel the PVC film away from the bolt holes at the ends of all the grill bars.
9. Using ½" carriage bolts, flat washers, lock washers, and hex nuts, install the right and left grill bars to ensure proper placement of the previously installed top and bottom grill pieces (the 45#00-14 and 45#00-16 parts).
10. Fully tighten all the carriage bolts on the top and bottom grill pieces from steps #4 and #5.
11. Install the remaining grill bars (fully tighten all bolts on each bar as they are installed).

12. Lower the hood and place the screen on the back side of the replacement grill, the holes in the screen should go over the recently installed bolts from step #5 and #7.
13. Peel the PVC film from the two 45#00-03 and the two 45#00-04 parts.
14. Using flat washers, lock washers, and hex nuts, attach the 45#00-04 to the recently installed bolts along the upper and lower pieces of the grill.
15. Insert ¾" carriage bolts into the four holes on the front right and left sides of the grill (see "G" in above diagram). Install the 45#00-03 from the inside of the grill over the previously inserted bolts, secure with flat washers, lock washers, and hex nuts.



16. Peel all the remaining PVC film from your grill. This completes the installation of your new RoadWorks® grill.



*Thank you for choosing RoadWorks stainless steel accessories!*