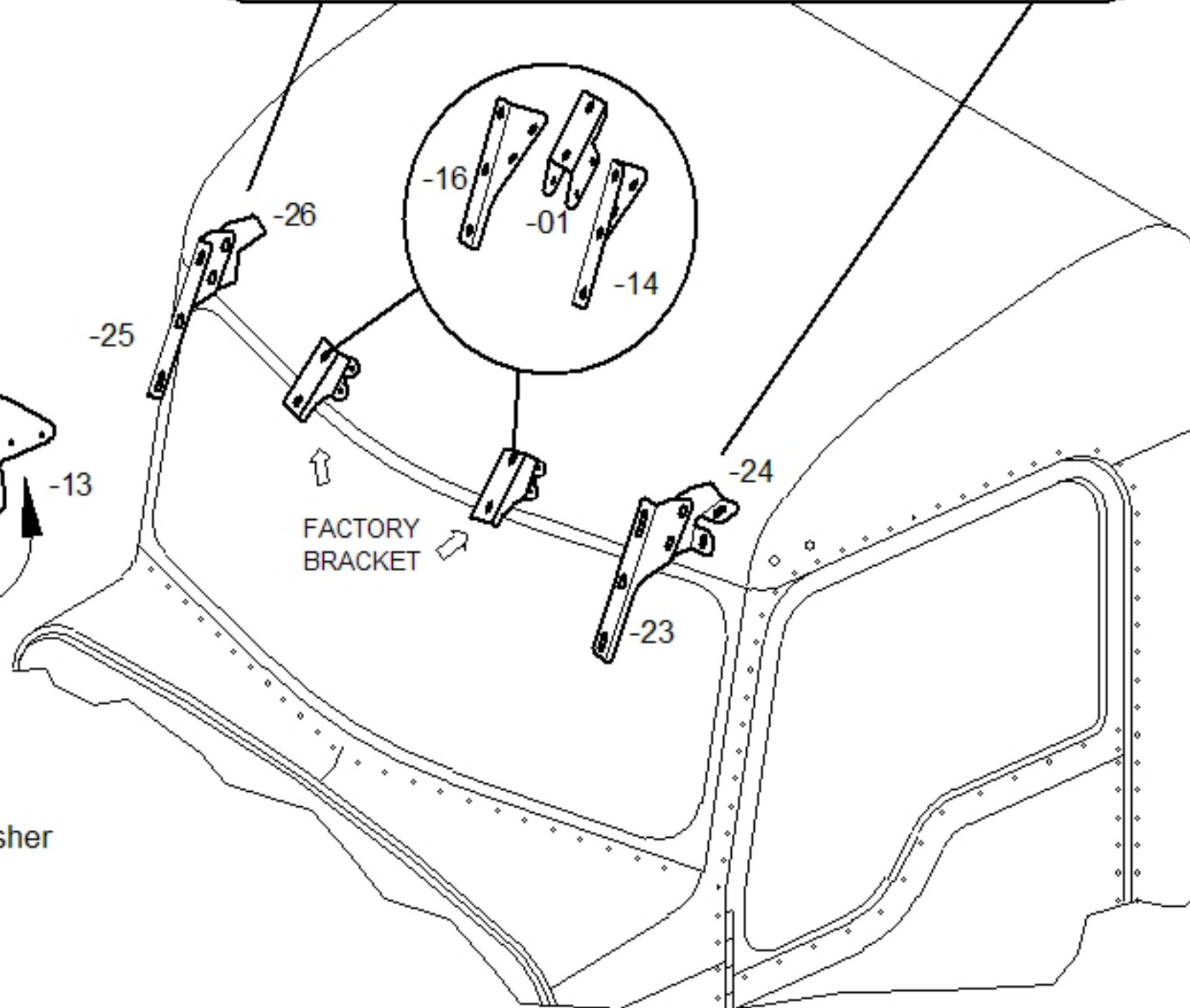
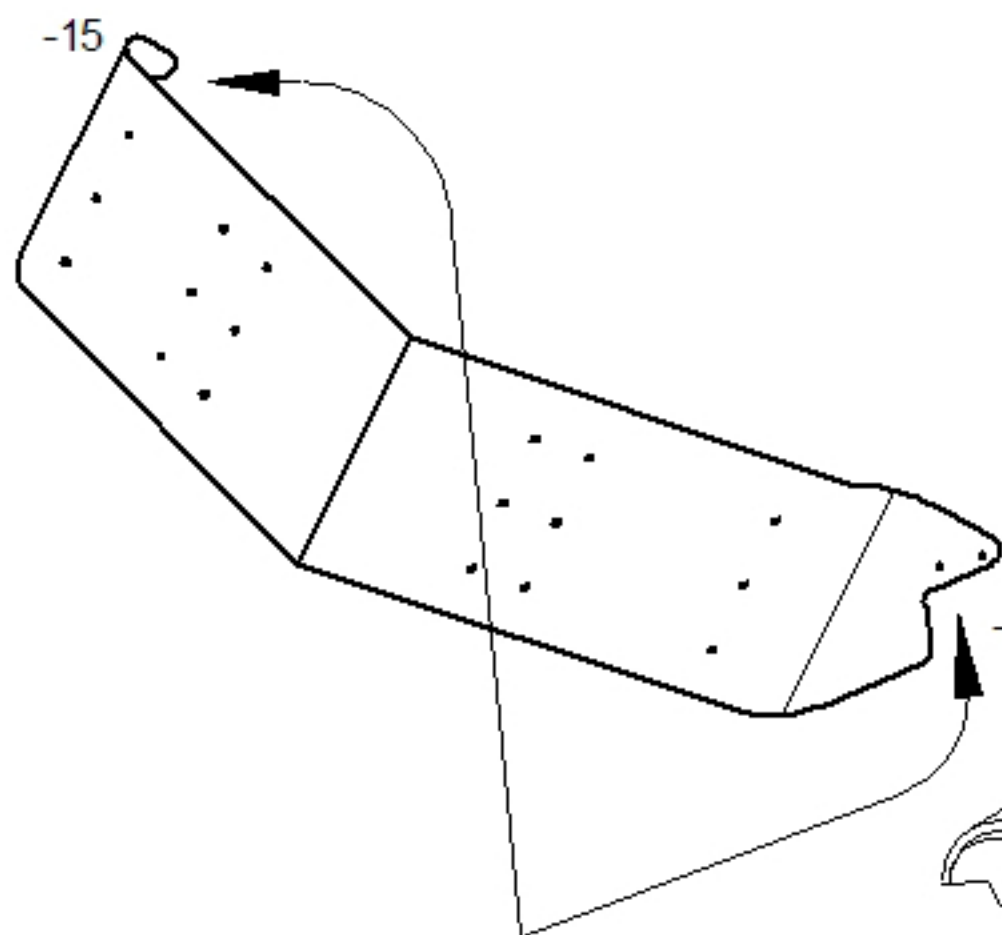
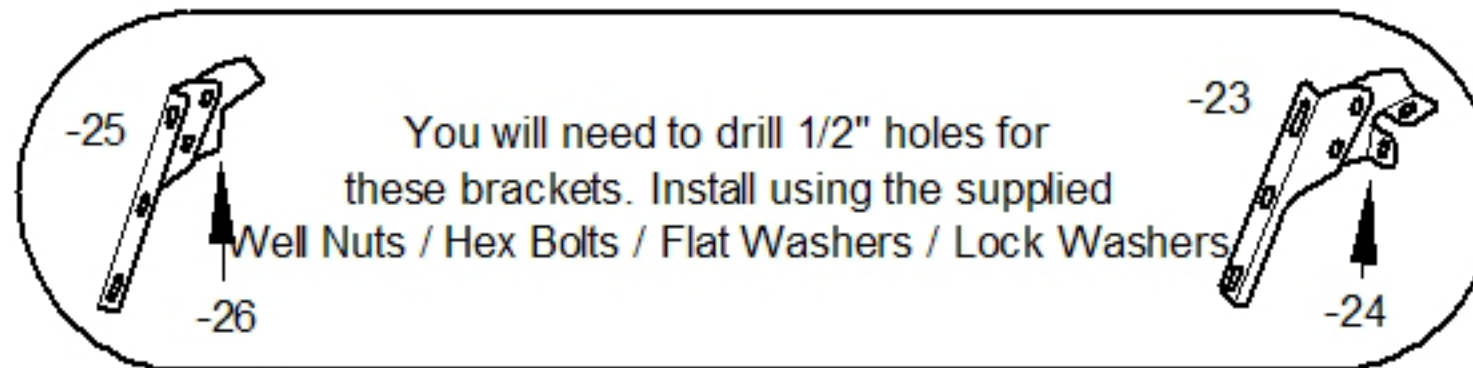
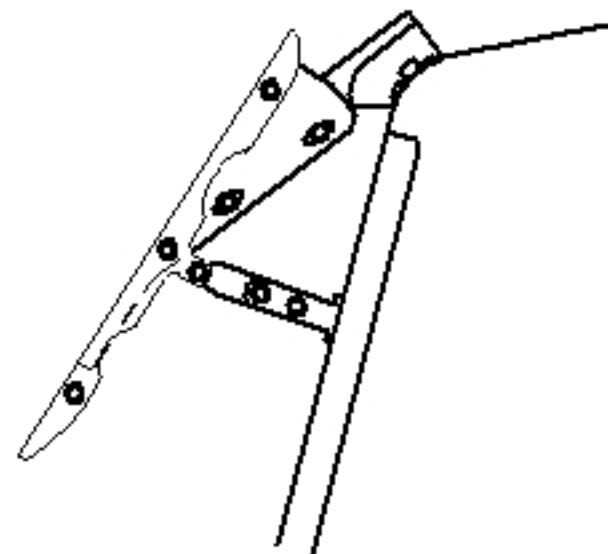


SIDE VIEW OF STABILIZER  
(RESTS ON WINDSHIELD)

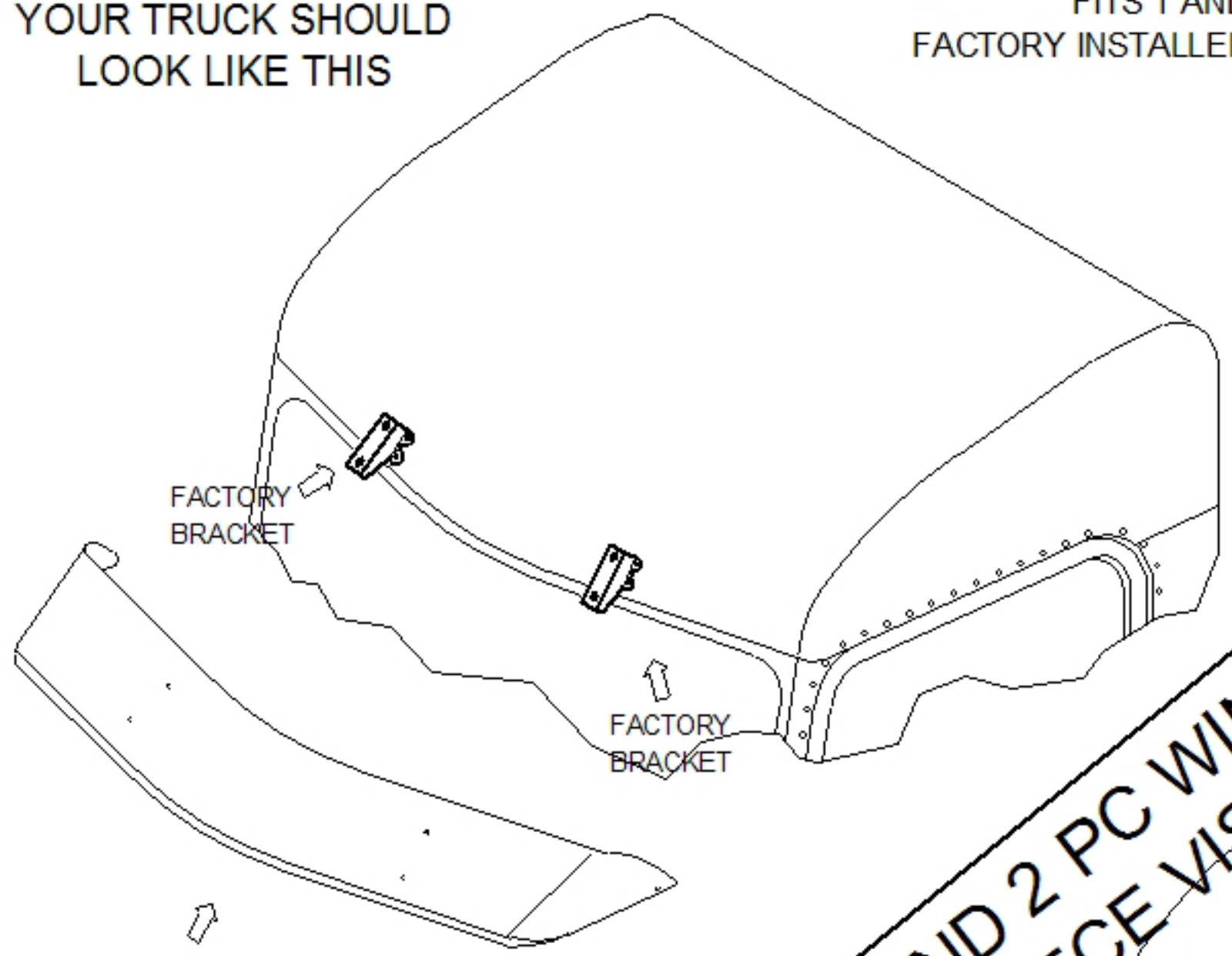
13" DROP VISOR FOR 1 & 2 PIECE CURVED WINDSHIELD KENWORTH 2007 & NEWER.  
REPLACES FACTORY 1 PIECE STAINLESS STEEL VISOR WITH 2 BRACKETS.  
DOES NOT FIT TRUCKS WITH 3 FACTORY BRACKETS (SEE DIAGRAM ON REVERSE SIDE)



One additional 1/2" holes will need to be drilled for each side. Use supplied Well Nut / Hex Bolt / Flat Washer / Lock Washer

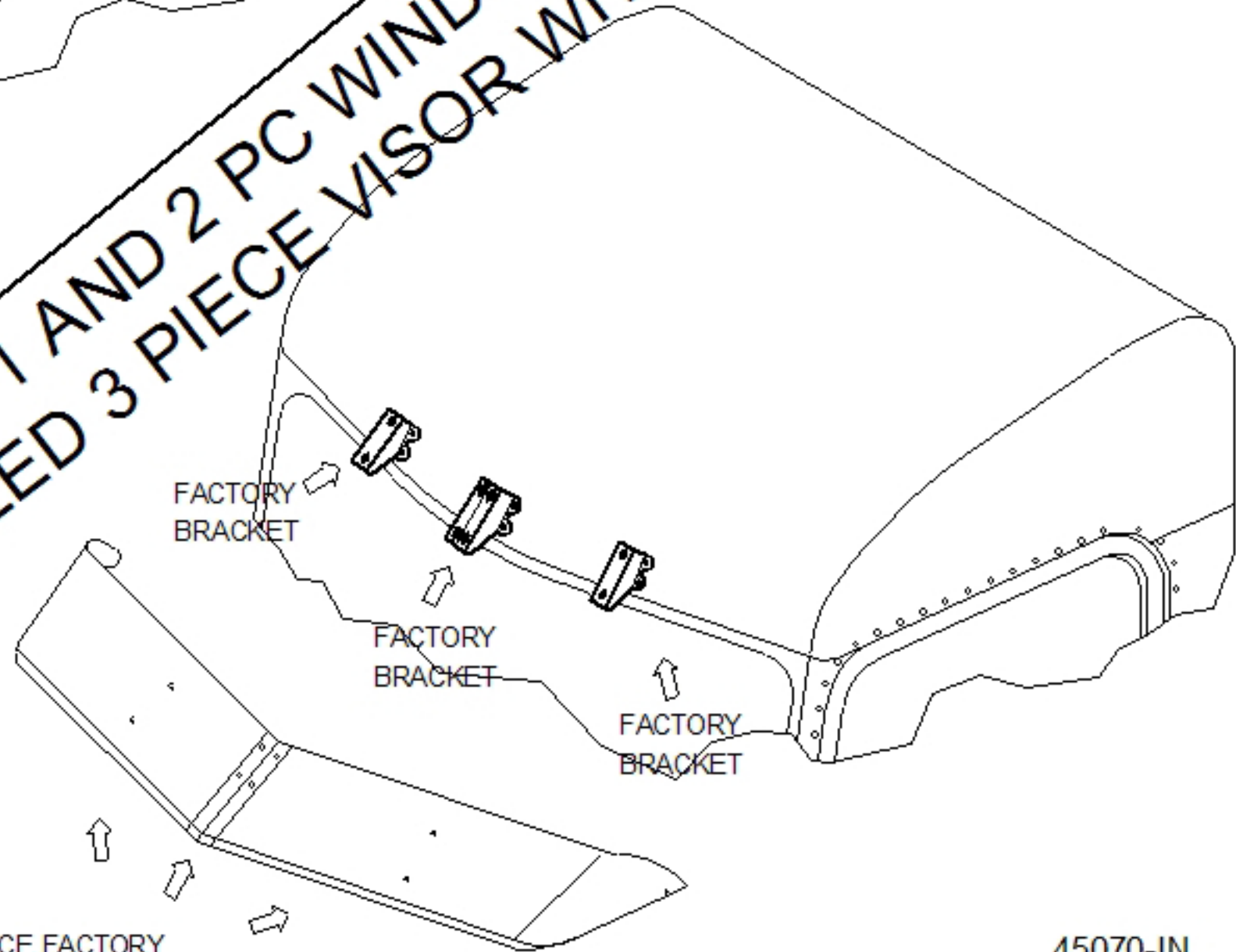
YOUR TRUCK SHOULD  
LOOK LIKE THIS

FITS 1 AND 2 PC WINDSHIELD WITH  
FACTORY INSTALLED 1 PIECE VISOR WITH 2 BRACKETS



1 PIECE FACTORY  
STAINLESS STEEL VISOR

DOES NOT FIT 1 AND 2 PC WINDSHIELD WITH  
FACTORY INSTALLED 3 PIECE VISOR WITH 3 BRACKETS



3 PIECE FACTORY  
STAINLESS STEEL VISOR