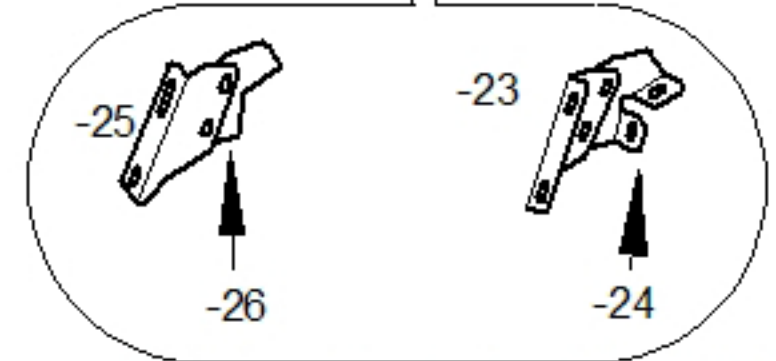
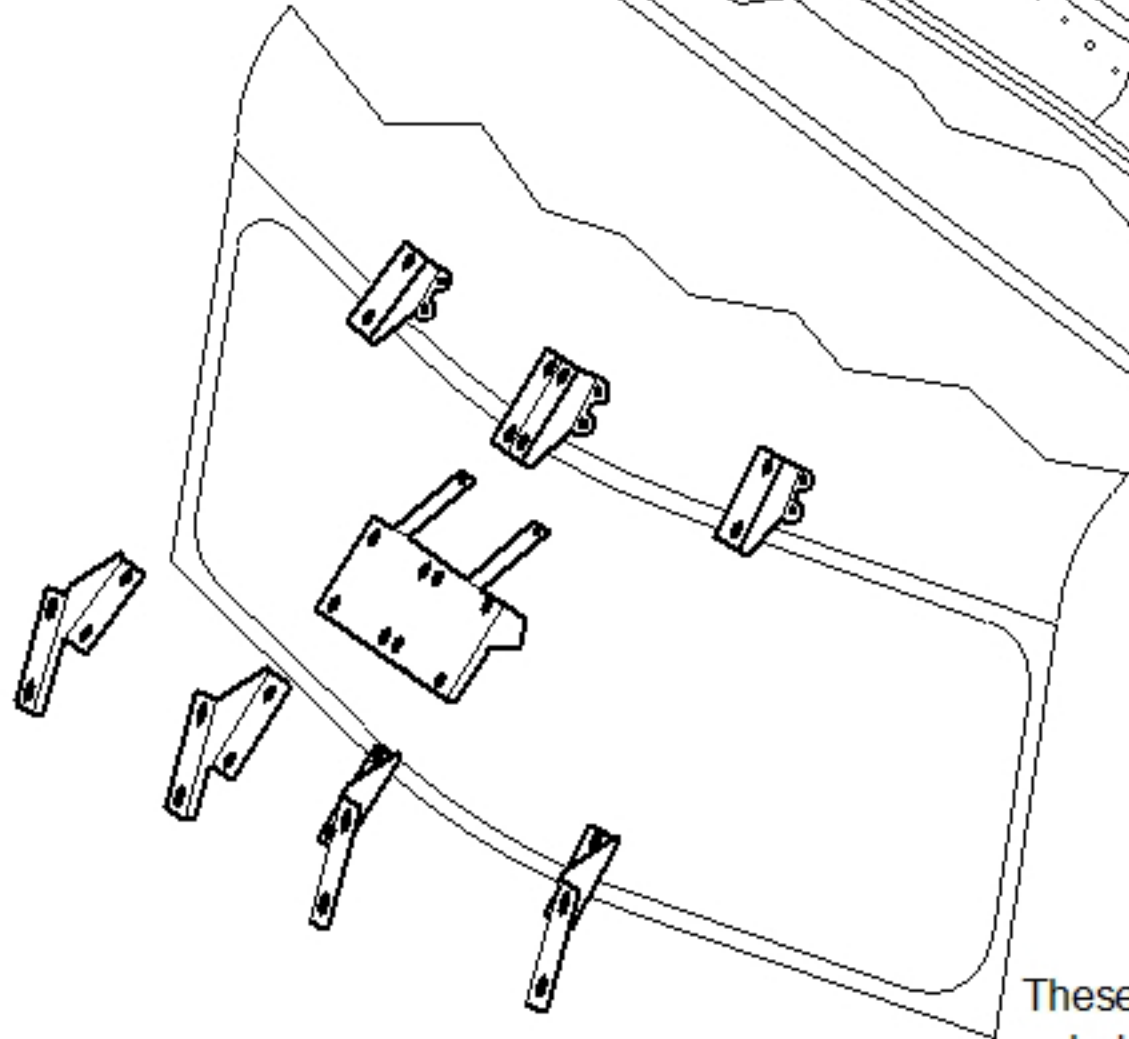
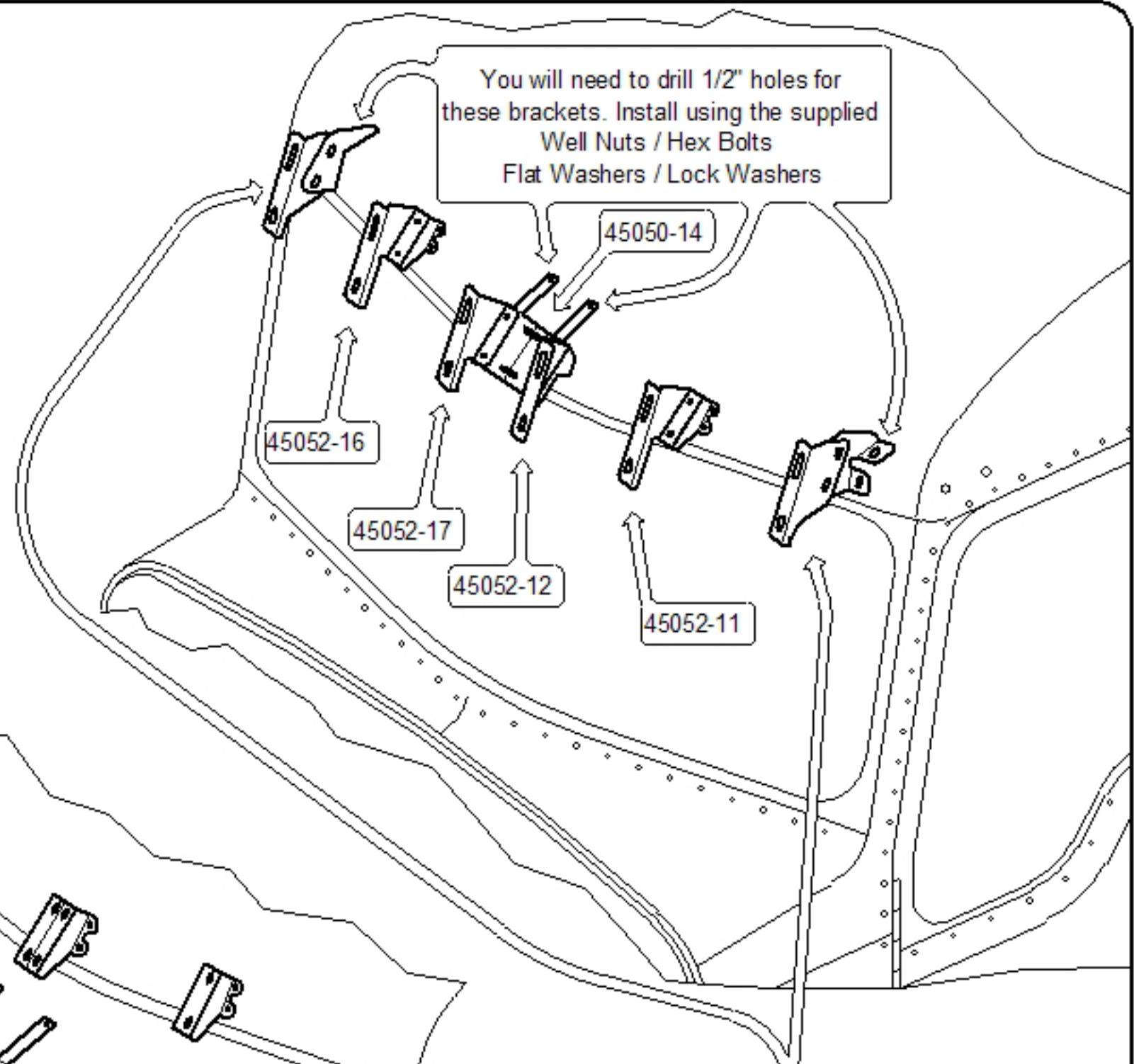
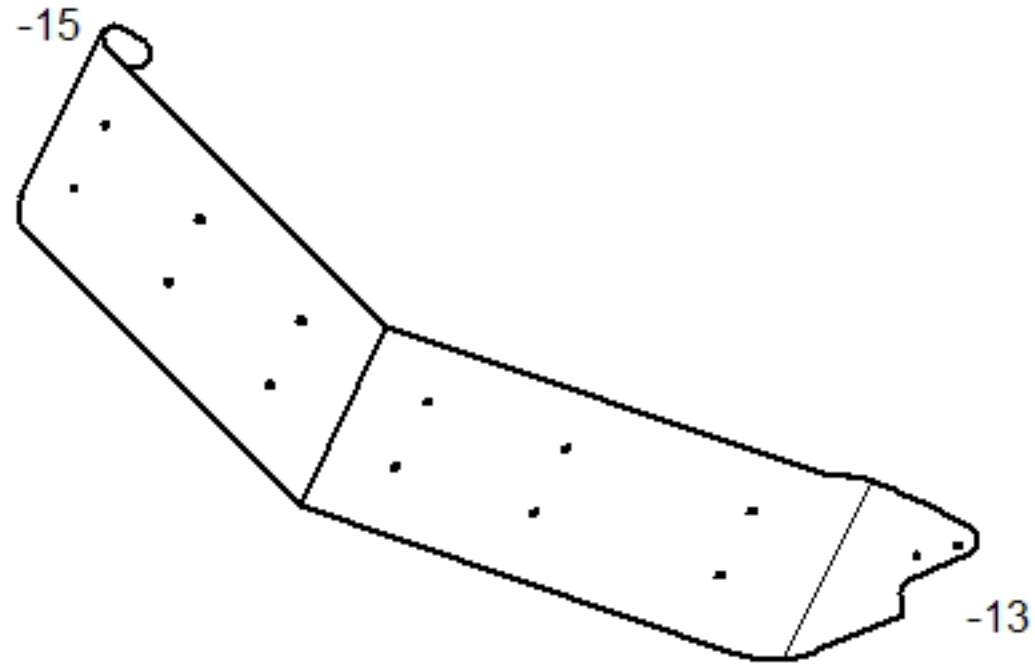


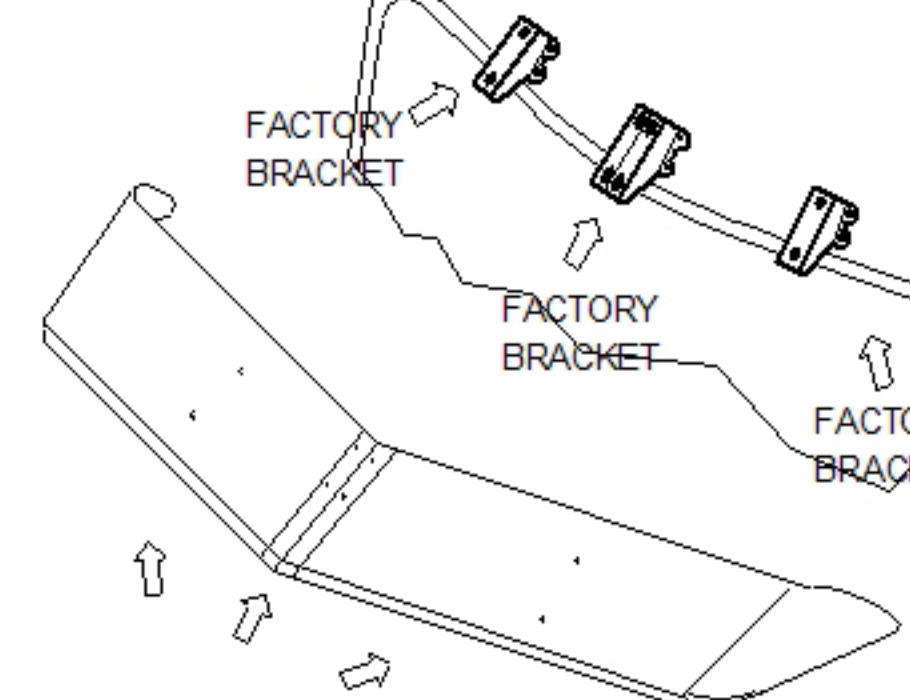
10" DROP VISOR FOR 1 & 2 PIECE CURVED WINDSHIELD KENWORTH 2006 & EARLIER.  
REPLACES FACTORY 2 PIECE STAINLESS STEEL VISOR WITH 3 BRACKETS.  
DOES NOT FIT TRUCKS WITH FACTORY FIBERGLASS VISOR.



These are additional brackets. You will need to drill 1/2" holes for these brackets. Install using the supplied Well Nuts / Hex Bolts / Flat Washers / Lock Washers

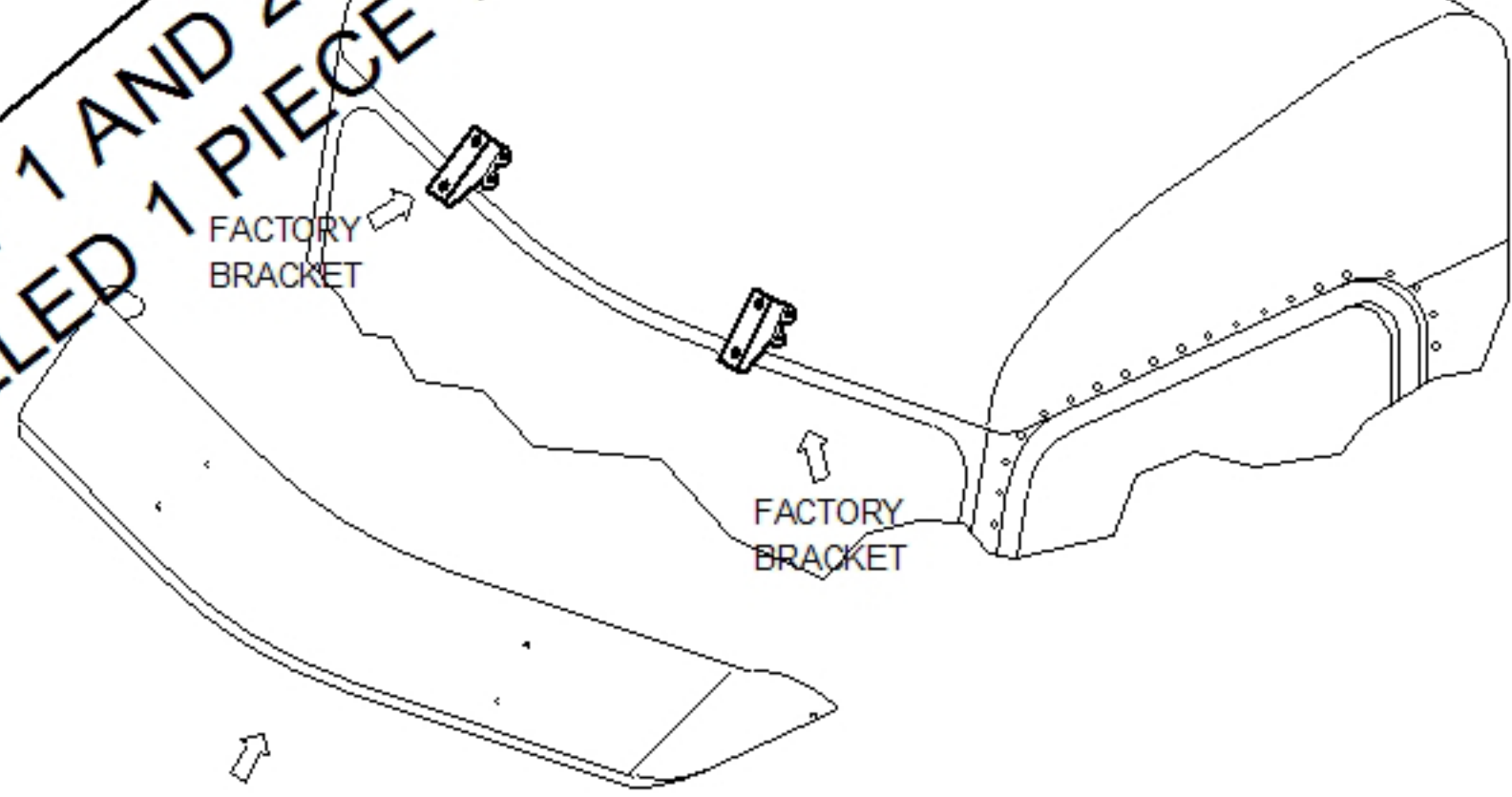
FITS 1 AND 2 PC WINDSHIELD WITH  
FACTORY INSTALLED 3 PIECE VISOR WITH 3 BRACKETS

YOUR TRUCK SHOULD  
LOOK LIKE THIS



3 PIECE FACTORY  
STAINLESS STEEL VISOR

**DOES NOT FIT 1 AND 2 PC WINDSHIELD WITH  
FACTORY INSTALLED 1 PIECE VISOR WITH 2 BRACKETS**



1 PIECE FACTORY  
STAINLESS STEEL VISOR