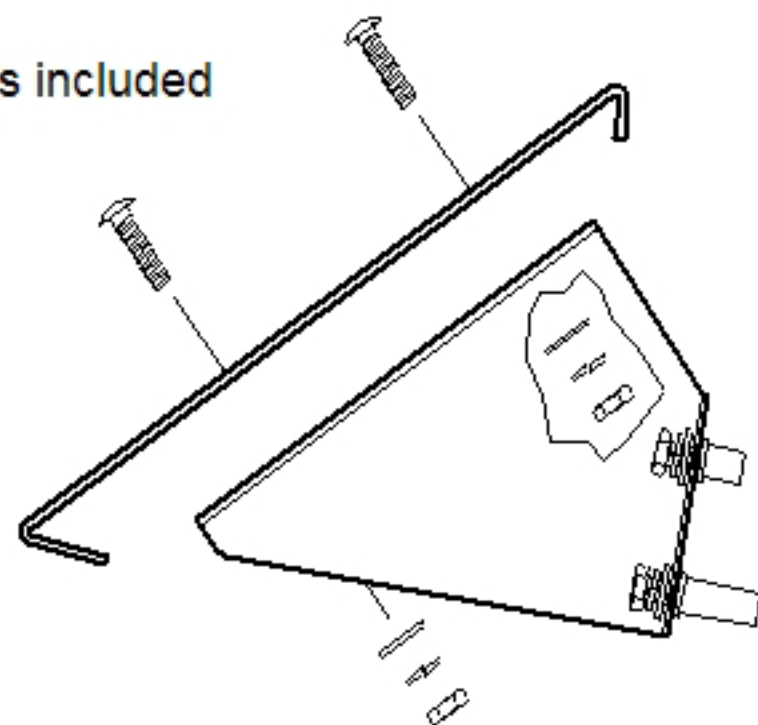


1988 AND NEWER FLAT TOP CAB REPLACEMENT VISOR INSTRUCTIONS

VERIFY the factory brackets are in the location listed below.
Remove factory visor and brackets. Drill out factory holes to 1/2"
Install new brackets in factory locations using supplied hardware.
Fasten visor skins to brackets using supplied hardware.

35050-IN
USE FOR 35050

4 Brackets included



EXTRA BRACKET IN 9TH RIVET LOCATION

6th

2nd

35050-16

35050-17

35050-11

35050-12

ADDITIONAL HOLE

-15

-13